

## Edge Protection Seal Profile Corners

Vulcanized, Material NBR / EPDM (UL-Certified)

### SPECIFICATION

#### Types

- Type **A**: Upper seal profile
- Type **D**: Side seal profile

Clamping profile / Sealing profile

Ethylene propylene diene rubber **EPDM**

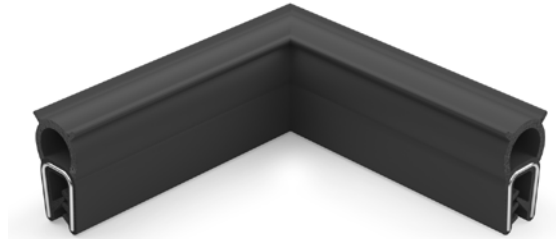
- Black
- Clamping profile hardness 65 ±5 Shore A
- Sealing profile hardness 25 ±5 Shore A
- Temperature resistant -40 °C to 100 °C

Acrylonitrile butadiene rubber **NBR**

- Black
- Clamping profile hardness 60 ±5 Shore A
- Sealing profile hardness 25 ±5 Shore A
- Temperature resistant -30 °C to 100 °C

Clamp insert

Steel wire polyester clamping band



### INFORMATION

With edge protection seal profiles corners GN 2181, right-angle sealing paths can be quickly and easily implemented without a minimum laying radius or manual "free-cutting" of the profile. The corner joint is sealed and firmly attached thanks to vulcanization.

The leg length  $l$  can be shortened or extended with the corresponding section of GN 2180 (see page). Installed "compressed" with an excess dimension of about 1% of the total length, the joints are tightly fitting and do not require adhesive.

During operation, the profile must experience deformation to dimension  $w_2$  in order to ensure an optimal sealing effect. The profiles made of NBR are intended for uses in contact with oils, fuels or lubricants.

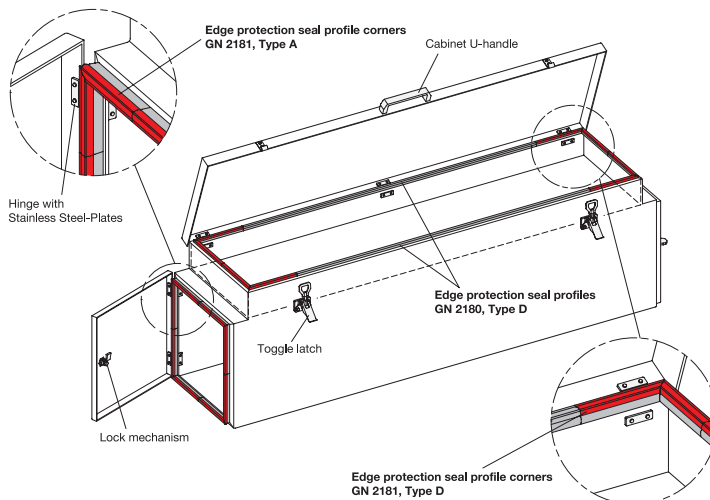
The EPDM versions are made of UL 50 and UL 94-HB certified edge protector sealing profiles.

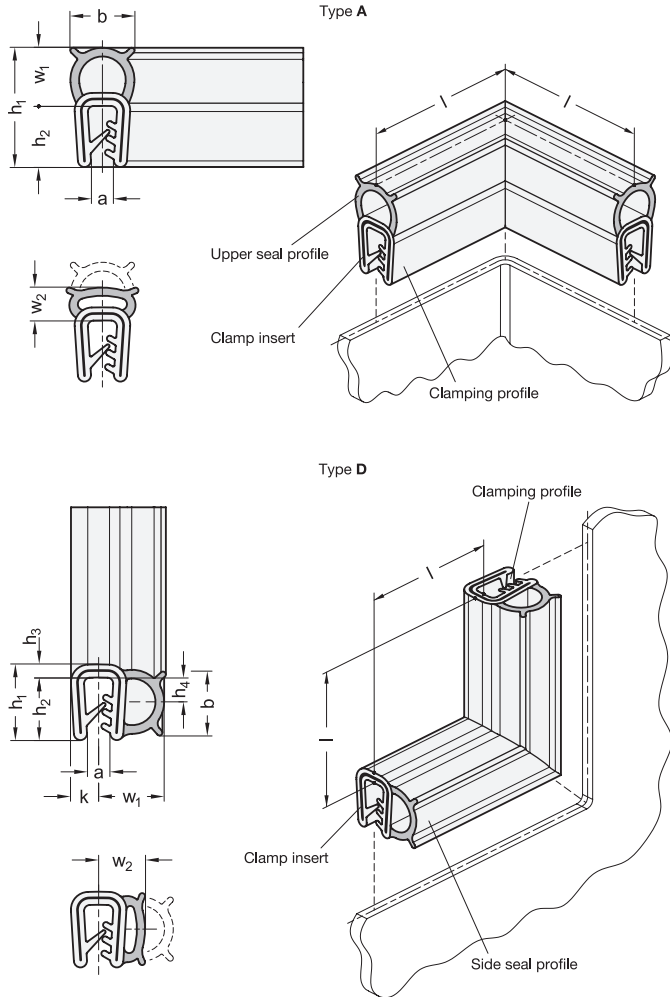
### ON REQUEST

- Edge protection seal profile segments, vulcanized, e.g. in U or Z shape
- Edge protection seal profile frame, vulcanized, closed, e.g. in round or square shape

### TECHNICAL INFORMATION

- Plastic Characteristics (see page A2)





GN 2181-A

Description	h <sub>1</sub>	length l	a	b	h <sub>2</sub>	w <sub>1</sub>	w <sub>2</sub> up to 50% permissible deformation	⚖
GN 2181-EPDM-20,5-A-160	20.5	160	1 - 3.5	11	10.5	10	7	44
GN 2181-NBR-20,5-A-160	20.5	160	1 - 3.5	11	10.5	10	7	44
GN 2181-EPDM-20,5-A-250	20.5	250	1 - 3.5	11	10.5	10	7	70
GN 2181-NBR-20,5-A-250	20.5	250	1 - 3.5	11	10.5	10	7	70
GN 2181-EPDM-20,5-A-400	20.5	400	1 - 3.5	11	10.5	10	7	110
GN 2181-NBR-20,5-A-400	20.5	400	1 - 3.5	11	10.5	10	7	110
GN 2181-EPDM-20,5-A-630	20.5	630	1 - 3.5	11	10.5	10	7	171
GN 2181-NBR-20,5-A-630	20.5	630	1 - 3.5	11	10.5	10	7	171

GN 2181-D

Description	h <sub>1</sub>	length l	a	b	h <sub>2</sub>	h <sub>3</sub>	h <sub>4</sub>	k	w <sub>1</sub>	w <sub>2</sub> up to 50% permissible deformation	⚖
GN 2181-EPDM-13-D-160	13	160	1 - 3.5	11	10.75	2.25	4.5	4.75	11.75	8.75	45
GN 2181-NBR-13-D-160	13	160	1 - 3.5	11	10.75	2.25	4.5	4.75	11.75	8.75	45
GN 2181-EPDM-13-D-250	13	250	1 - 3.5	11	10.75	2.25	4.5	4.75	11.75	8.75	70
GN 2181-NBR-13-D-250	13	250	1 - 3.5	11	10.75	2.25	4.5	4.75	11.75	8.75	70
GN 2181-EPDM-13-D-400	13	400	1 - 3.5	11	10.75	2.25	4.5	4.75	11.75	8.75	112
GN 2181-NBR-13-D-400	13	400	1 - 3.5	11	10.75	2.25	4.5	4.75	11.75	8.75	112
GN 2181-EPDM-13-D-630	13	630	1 - 3.5	11	10.75	2.25	4.5	4.75	11.75	8.75	180
GN 2181-NBR-13-D-630	13	630	1 - 3.5	11	10.75	2.25	4.5	4.75	11.75	8.75	180

